



Dirt Diggers™ Excavator

Item no.: 619694

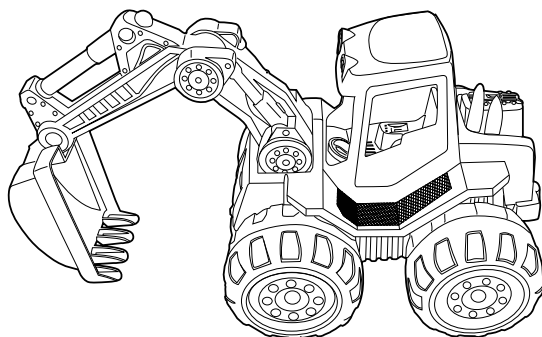
Ages 2+ years
Adult supervision recommended

INTRODUCTION

Get ready to move some earth with the Little Tikes® Dirt Diggers™ Excavator! Scoop up and rake up sand and dirt with the Excavator's giant scoop or detach it and use it by itself as a rake and shovel!

CONTENTS

- 1 Little Tikes® Dirt Diggers Excavator with Detachable Rake



QUICK START

1. Roll the Dirt Digger Excavator wherever you want to rake.
NOTE: Remember to stay safe! Rake in sand or soft dirt where there are no large rocks, broken glass, or other harmful things.
NOTE: Make sure to only rake with an adult's permission.
2. Grab the handle and pull the scoop to gather up dirt (Fig. 1).

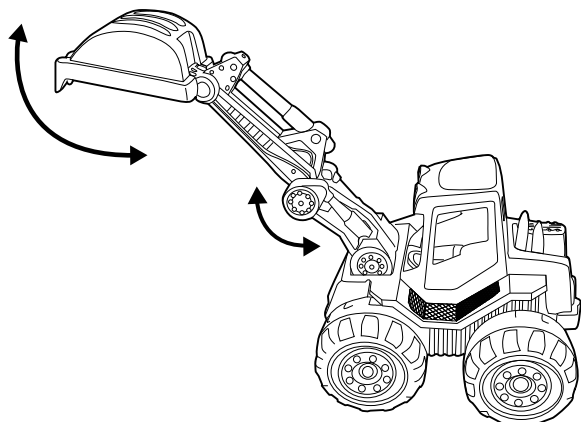


Fig. 1

3. If you want to really dig and rake, grasp the handle of the scoop and pull it away from the Excavator (Fig. 2) to transform it into a giant shovel (Fig. 3)!

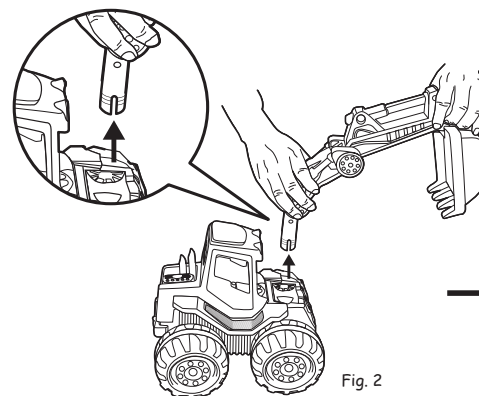


Fig. 2

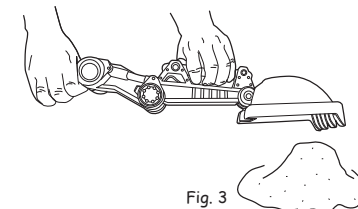


Fig. 3

4. Don't forget to put the shovel back into the Excavator when you are done digging! Place the handle of the shovel back into the slot in the front of the Excavator as shown in Figure 4:

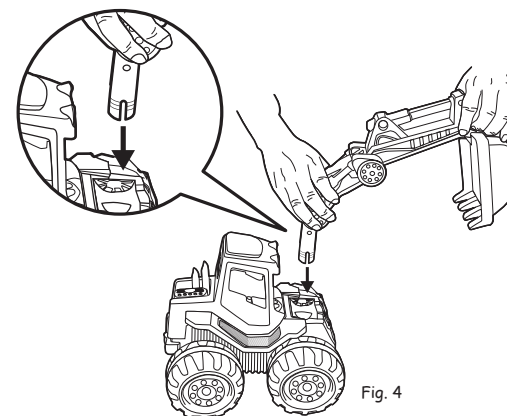


Fig. 4

Please keep this manual as it contains important information.



© The Little Tikes Company,
an MGA Entertainment company.
LITTLE TIKES® is a trademark of Little Tikes
in the U.S. and other countries. All logos, names,
characters, likenesses, images, slogans, and
packaging appearance are the property of Little Tikes.
Little Tikes Consumer Service
2180 Barlow Road
Hudson, Ohio 44236 U.S.A.
1-800-321-0183
Printed in China



0310-0-E/INT

www.littletikes.com